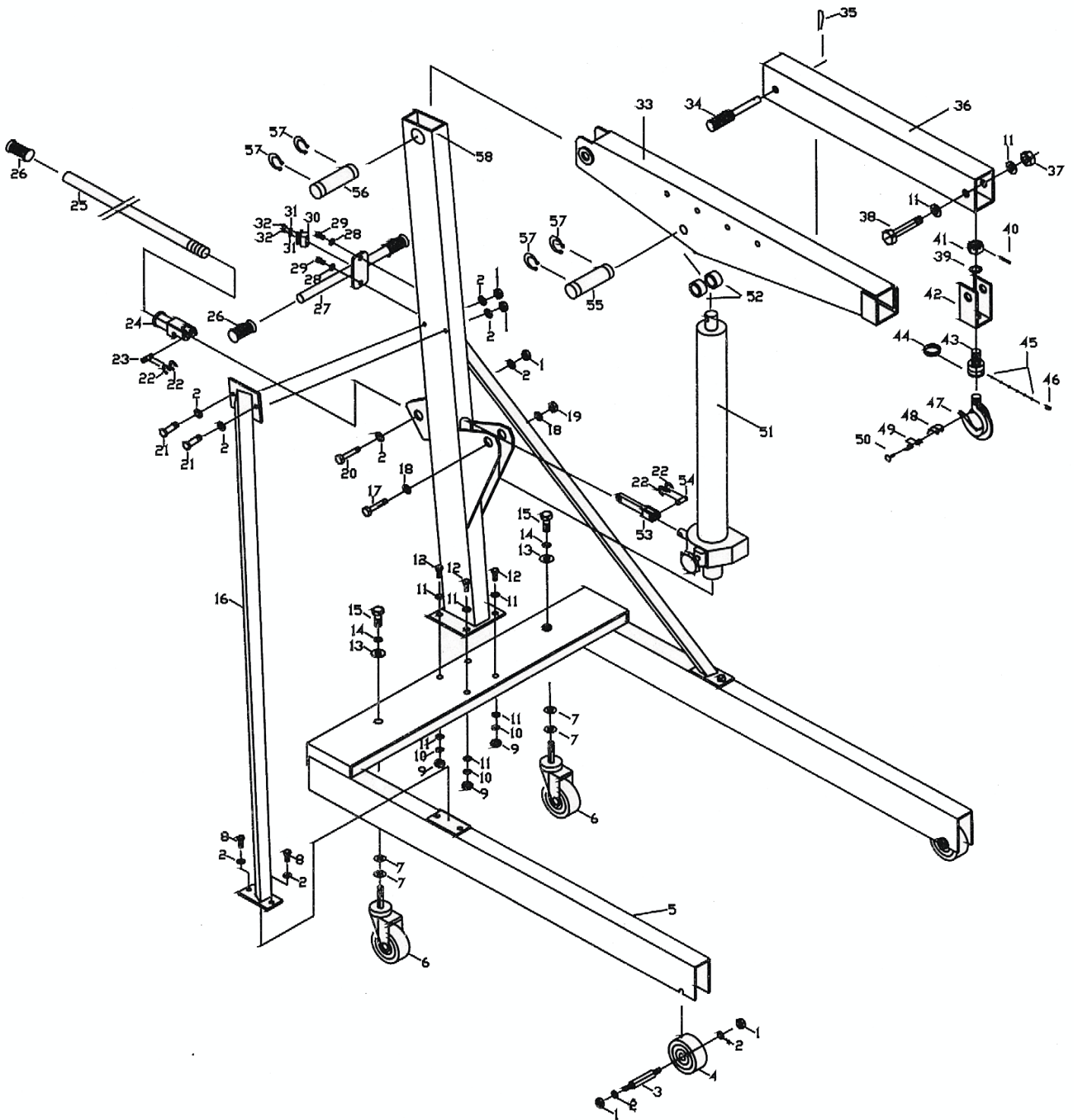


OH 1001

GRUE MOBILE 1T MOBILE CRANE 1T



OH 1001

GRUE MOBILE 1T

MOBILE CRANE 1T

| N° | Description | Qté |
|----|--------------------------------|-----|
| 1 | Ecrou/Nut | 7 |
| 2 | Rondelle/Washer | 16 |
| 3 | Goupille/Pin | 2 |
| 4 | Roue avant/Front wheel | 2 |
| 5 | Base/Base | 1 |
| 6 | Roue pivotante/Steering wheel | 2 |
| 7 | Rondelle/Washer | 4 |
| 8 | Vis/Screw | 4 |
| 9 | Ecrou/Nut | 4 |
| 10 | Rondelle ressort/Spring washer | 4 |
| 11 | Rondelle/Washer | 10 |
| 12 | Vis/Screw | 4 |
| 13 | Rondelle/Washer | 2 |
| 14 | Rondelle ressort/Spring washer | 2 |
| 15 | Vis/Screw | 2 |
| 16 | Support/Support | 2 |
| 17 | Vis/Screw | 1 |
| 18 | Rondelle/Washer | 2 |
| 19 | Ecrou/Nut | 1 |
| 20 | Vis/Screw | 1 |
| 21 | Vis/Screw | 2 |
| 22 | Bague d'arrêt/Snap ring | 4 |
| 23 | Goupille/Pin | 1 |
| 24 | Douille/Socket | 1 |
| 25 | Poignée de levage/Jack handle | 1 |
| 26 | Grip poignée/Hand grip | 3 |
| 27 | Poignée/Handle | 1 |
| 28 | Rondelle/Washer | 2 |
| 29 | Vis/screw | 2 |
| 30 | Siège ressort/Spring seat | 1 |

| N° | Description | Qté |
|----|-----------------------------|-----|
| 31 | Rondelle/Washer | 2 |
| 32 | Vis/screw | 2 |
| 33 | Bras/Arm | 1 |
| 34 | Goupille/Pin | 1 |
| 35 | Goupille ressort/Spring pin | 1 |
| 36 | Bras de levage/Lifint arm | 1 |
| 37 | Ecrou/Nut | 1 |
| 38 | Vis/Screw | 1 |
| 39 | Rondelle/Washer | 1 |
| 40 | Goupille/Pin | 1 |
| 41 | Ecrou/Nut | 1 |
| 42 | Siège crochet/Hook seat | 1 |
| 43 | Boulon crochet/Hook bolt | 1 |
| 44 | Ressort/Spring | 1 |
| 45 | Bille/Ball | 12 |
| 46 | Vis/Screw | 1 |
| 47 | Crochet/Hook | 1 |
| 48 | Loquet/Latch | 1 |
| 49 | Ressort/Spring | 1 |
| 50 | Goupille/Pin | 1 |
| 51 | Vérin/Ram assembly | 1 |
| 52 | Ecarteur/Spacer | 2 |
| 53 | Lien/Linkage | 1 |
| 54 | Goupille/Pin | 1 |
| 55 | Goupille/Pin | 1 |
| 56 | Goupille/Pin | 1 |
| 57 | Bague d'arrêt/Snap ring | 4 |
| 58 | Poteau/post | 1 |